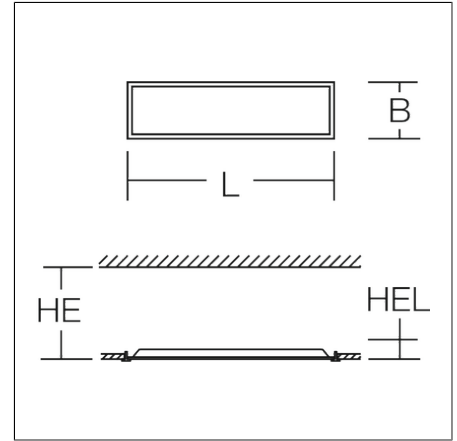




Lay-in luminaires
L 1195, B 295
white



Lay-in luminaire for ceiling systems with visible mounting rails. Housing: sheet steel, powder-coated. Luminaire frame: aluminium, powder-coated. Diffuser made of non-yellowing plastic (PMMA) microprismatic. LED backlight technology for homogeneous illumination of the entire light-emitting surface. CRI >90 for the most realistic possible perception of colours of surroundings, objects and people. External driver. MultiLumen: 4 steps adjustable luminous flux. Factory setting is step 2. Perfect for office areas (UGR ≤ 19) and environments with computer screens in accordance with EN 12464-1. Suitable for use in cyanosis application.

Product specifications

Length L	1195 mm
Width B	295 mm
Luminaire: recess height HEL	37 mm
Installation space height HE	160 mm
Weight	2.33 kg
Light source	LED
Colour temperature	4000 K
Rated luminous flux	3200 lm 3750 lm 4350 lm 4850 lm
System power	20 W 24 W 28 W 32 W
System efficiency	152 lm/W 155 lm/W 156 lm/W 160 lm/W
Glare evaluation UGR (4H 8H)	17,5 18 18,5 18,9
Beam angle	90°/91°
Rated life	50000 h (L80/B10)
Colour rendering index (CRI)	90
Colour tolerance	3
Photobiological safety according to EN 62471	Risk group 1
Driver	Converter
Control	on/off
Voltage	220 - 240 V / 50 Hz, 60 Hz
Cyanosis observation index (COI)	< 3.3
R9 Value	> 50
Luminaires on B10A fuse	26
Luminaires on B16A fuse	42
Luminaires on C10A fuse	44
Luminaires on C16A fuse	70
Inrush current / Inrush current duration	24 A / 150 µs
CIE Flux Code / CEN Flux Code	61 88 97 100 100
Type of protection	IP 40 on room side IP 20
Protection class	II
Filament test	650 °C
Impact resistance	IK03
Ambient temperature	-20 °C ... + 40 °C
Safety marks	Do not cover the recessed luminaire!
Conformity mark	CE

KALEEA

312779.122.1MAL | Recessed luminaires

Accessories



982703.002
Through-wiring box