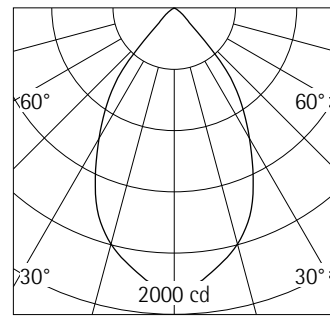


31406.000 White (RAL9016)
 LED 18W 2140lm 4000K neutral white
 DALI-2
 Version 4
 Size 5
 Covered mounting detail
 Lens system, wide flood

Product description
 Housing: cast aluminium, designed as heat sink, with connection cable L 500mm. Fixing springs for ceiling thicknesses of 1-40mm.
 Includes ERCO DALI control gear. 4-pole terminal block.
 LED module: high-power LEDs on metal-core PCB. Lens system made of optical polymer.
 Anti-glare cone with covered mounting detail: polymer, white (RAL9016).
 Optical cut-off 30°.
 The luminaire is splash water-protected on the room side.
 Dimming possible via commercially available push-buttons (Push Dim).
 Approved for use as emergency lighting according to IEC / EN 60598-2-22.
 Protection Class II
 Weight 1.20kg



Beam angle
 C₀ 63°
 UGR glare evaluation
 C₀ 17.5

Technical data

Luminous flux of the luminaire	1890lm
Connected load	22.0W
Luminaire efficacy	86lm/W
Colour deviation	1.5 SDCM
Colour rendition index	CRI 92
Lumen maintenance (LED manufacturer specifications)	L90/B10 ≤50000h L90 ≤100000h
LED failure rate	0.1% ≤50000h
Dimming range	0.1%-100%
Dimming method	CCR
LMF	E
Energy efficiency class	EEI A+
Standby power per control gear	0.3W
Luminaires per circuit breaker B16	28

For your regional contact in the ERCO
 Sales network click here
www.erco.com/contact

Technical Region:
 220V-240V/50Hz-60Hz
 We reserve the right to make technical and design changes.
 Edition: 30.01.2020
 Current version under
www.erco.com/31406.000

Planning data

31406.000 LED 18W 2140lm 4000K neutral white
 Connected load P: 22 W
 Connected load per 100lx P*: 1.1 W/m²
 Number of luminaires per 100lx n*: 4.9 1/100m²

31406.000 LED 18W 2140lm 4000K neutral white
 Number of luminaires per 100m² for

100lx	200lx	300lx	500lx
5	10	15	25

31406.000 LED 18W 2140lm 4000K neutral white
 Module (m) 1.2x1.8 1.8x1.8 1.8x2.4 2.4x2.4
 Illuminance E_n (lx) for module (m) 948 632 474 355

Correction table

	0.70	0.70	0.70	0.50	0
Ceiling	0.70	0.70	0.70	0.50	0
Wall	0.70	0.50	0.20	0.20	0
Floor	0.50	0.20	0.20	0.10	0

k	0.6	85	61	65	59	55
k	1.0	98	77	79	73	67
k	1.5	107	90	90	83	78
k	2.5	113	100	97	90	84
k	3.0	115	104	100	92	86

Cleaning (a)	1				2				3			
	P	C	N	D	P	C	N	D	P	C	N	D
Ambient conditions	0.96	0.94	0.90	0.86	0.93	0.91	0.86	0.81	0.92	0.90	0.84	0.79
LMF	0.97	0.95	0.91	0.86	0.97	0.94	0.90	0.86	0.97	0.94	0.90	0.86
RSMF												

Hours of operation (h)	1000	5000	10000	20000	30000	40000	50000
LLMF	1.00	0.99	0.98	0.96	0.94	0.92	0.90
LSF	1	1	1	1	1	1	1

MF LMFxRSMFxLLMFxLSF
 MF Maintenance Factor
 LMF Luminaire Maintenance Factor
 RSMF Room Surface Maintenance Factor
 LLMF Lamp Lumens Maintenance Factor
 LSF Lamp Survival Factor
 P Room pure
 C Room clean
 N Room normal
 D Room dirty

Technical data in accordance with international norms and standards

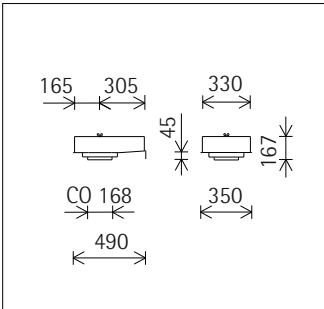
IEC 60598 Luminaires – Part 1+2: general requirements, specific requirements and tests
 IEC 62031 LED modules for general lighting – safety requirements
 IEC 62471 Photobiological safety of lamps and lamp systems
 EN13032-4 Light and lighting – measurement and representation of photometric data
 CIE 13 Method of measuring and specifying colour rendering properties of light sources

All technical data is subject to industrially standard tolerances.
 Also see www.erco.com/erco-led

Accessories



83740.000
 Concrete housing
 Stainless steel, galvanised/powder-coated.
 Recommended 0-8mm aggregate for the concrete.
 Weight 6.10kg



88290.000
 Compensation set
 For oversize ceiling cut-out.
 Lock ring: Sheet steel, galvanised.
 Mounting for ceiling thickness of min. 10mm.
 Cover ring: Metal, white.
 when ordering, please state the diameter of the existing ceiling cutout and the diameter of the luminaire.



83980.000
 Cover ring
 Metal, white. For covering the gap where ceiling cut-outs are too big.
 Inner and outer diameter to be specified when placing order.