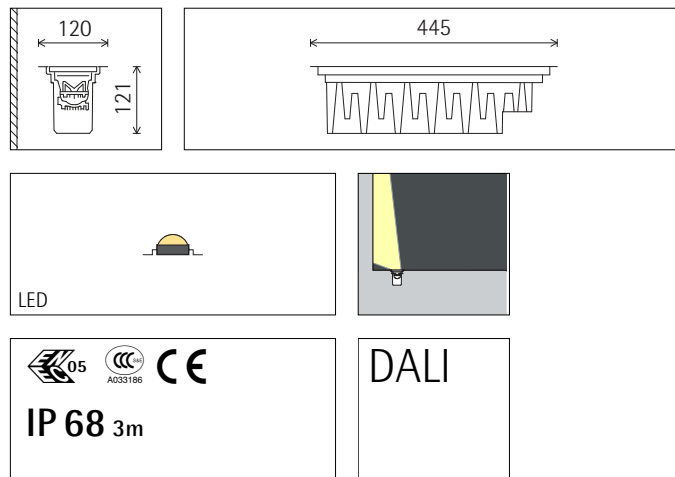


Grazing light wallwasher



32828.000

LED 24W 2520lm 3000K warm white
DALI
Version 2
Covered mounting detail

Product description

For mounting in accessories.
Housing: polymer, black.
DALI control gear. Connection cable, 5 x 1.5mm², L 800mm.
LED module: high-power LEDs on metal-core PCB. Collimating lens made of optical polymer. ±10° tilt. Softec lens.
Cover frame: stainless steel. Safety glass: 10mm, clear.
Installation with separate connection sleeve.
Mounting in recessed housing: can be driven over by vehicles with pneumatic tyres. Load: 20kN.
Mounting in hollow floor: mounting kit to be ordered separately.
Protection mode IP68 3m: protection against dust ingress, and continuous immersion up to 3m deep.
Weight 3.15kg

Technical data

Luminous flux of the luminaire	1058lm
Connected load	30W
Luminaire efficacy	35lm/W
Colour deviation	2 SDCM
Colour rendition index	CRI ≥90
Lumen maintenance (LM-80/TM-21)	L90/B10 ≤50000h
Lumen maintenance (LED manufacturer specifications)	L90 ≤100000h
LED failure rate	0.1% ≤50000h
Dimming range	1%-100%
Dimming method	CCR
LMF	E
Energy efficiency class	EEL A+
Standby power per control gear	0.4W
Luminaires per circuit breaker B16	24
Temperature on the light aperture	52°C

For your regional contact in the ERCO
Sales network click here
www.erco.com/contact

Technical Region: 220V-240V/50Hz
We reserve the right to make technical and design changes.
Edition: 27.10.2017
Current version under
www.erco.com/32828.000

Planning data

Illuminance E_n (lx)

Specifications:

Number of luminaires $n > 5$

Wall height (m) 4.0

Offset from wall (m) Luminaire spacing (m)	0.30		0.30		0.40		0.40			
	below the luminaire	between the luminaires	below the luminaire	between the luminaires	below the luminaire	between the luminaires	below the luminaire	between the luminaires	below the luminaire	between the luminaires
3.750	35	34	30	29	43	42	38	38	31	31
3.400	44	43	37	36	53	53	47	47	38	37
3.050	57	56	47	46	67	66	59	59	47	46
2.700	75	74	60	59	86	85	75	74	58	58
2.350	100	99	79	78	112	111	96	95	73	74
2.000	137	135	105	105	146	145	124	124	93	95
1.650	190	189	143	146	190	191	158	162	121	121
1.300	266	271	202	204	235	243	196	205	154	146
0.950	355	372	279	264	262	281	221	232	184	150
0.600	385	392	334	238	211	217	187	168	171	91
0.250	159	100	151	46	64	44	61	30	59	13

Cleaning (a) Ambient conditions	1				2				3			
	P	C	N	D	P	C	N	D	P	C	N	D
LMF	0.96	0.94	0.90	0.86	0.93	0.91	0.86	0.81	0.92	0.90	0.84	0.79
RSMF	0.99	0.97	0.95	0.92	0.98	0.97	0.95	0.92	0.98	0.97	0.95	0.92

Hours of operation (h)	1000	5000	10000	20000	30000	40000	50000
LLMF	1.00	0.99	0.98	0.96	0.94	0.92	0.90
LSF	1	1	1	1	1	1	1

- MF LMFxRSMFxLLMFxLSF
- MF Maintenance Factor
- LMF Luminaire Maintenance Factor
- RSMF Room Surface Maintenance Factor
- LLMF Lamp Lumens Maintenance Factor
- LSF Lamp Survival Factor
- P Room pure
- C Room clean
- N Room normal
- D Room dirty

Technical data in accordance with international norms and standards

- IEC 60598 Luminaires – Part 1+2: general requirements, specific requirements and tests
- IEC 62031 LED modules for general lighting – safety requirements
- IEC 62471 Photobiological safety of lamps and lamp systems
- EN 13032-4 Light and lighting – measurement and representation of photometric data
- CIE 13 Method of measuring and specifying colour rendering properties of light sources

All technical data is subject to industrially standard tolerances.
Also see www.erco.com/erco-led

Accessories



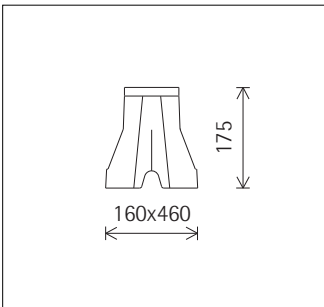
33958.000
 Coupling sleeve
 for max. 16mm cable diameter.
 Polymer conduit, two-part PUR-cast resin.
 ø 26mm, L 180mm.



33959.000
 Branching sleeve
 for 8-23mm cable diameter.
 Polymer shell, two-part PUR cast resin.
 L 150mm, B 70mm, H 46mm.



33295.000
 Recessed housing
 Polymer, black.
 4 cable entries.
 Load: 20kN.
 Weight 0.85kg



33293.000
 Mounting kit
 Mounting in hollow floors.
 2 mounting brackets: stainless steel.
 Clamp extension 1-46mm.
 Load: 20kN.
 Floor aperture: 422mmx98mm
 Weight 0.14kg

