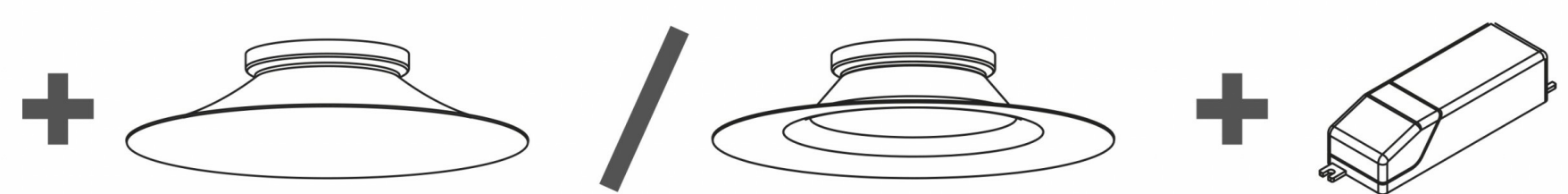
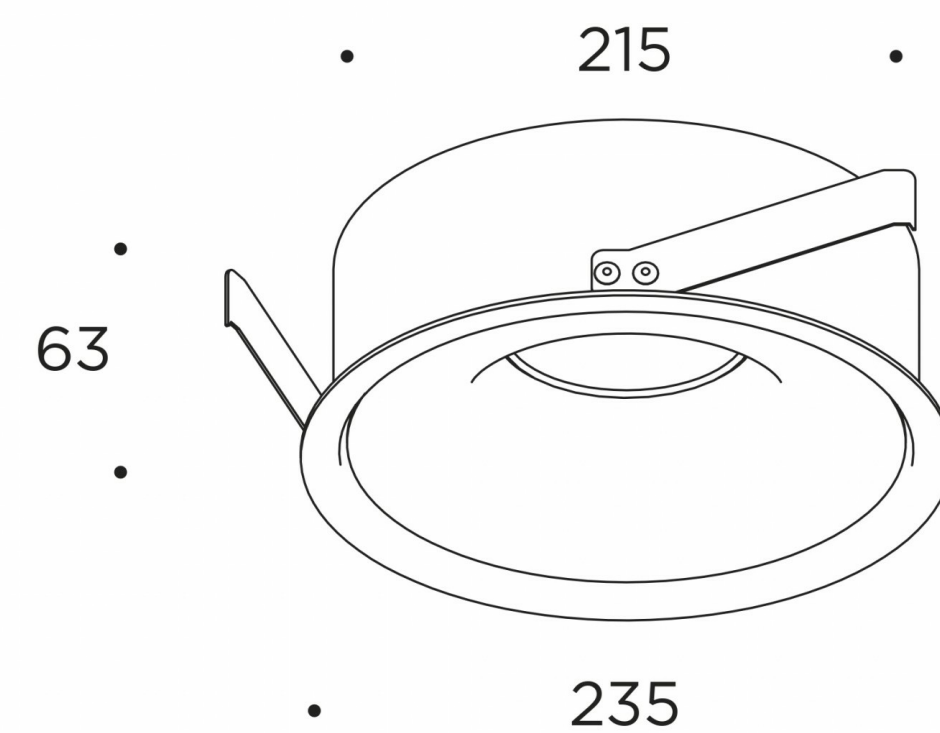




<b>Body finish</b>	Matt white										
<b>Optics</b>	Order separately										
<b>Ring Colour</b>	<table border="0"> <tr> <td> Brick red</td> <td> Lacquered red</td> </tr> <tr> <td> Matt orange</td> <td> Spring green</td> </tr> <tr> <td> Corn yellow</td> <td> Matt white</td> </tr> <tr> <td> Matt black</td> <td> Baby blue</td> </tr> <tr> <td> Concrete grey</td> <td></td> </tr> </table>	Brick red	Lacquered red	Matt orange	Spring green	Corn yellow	Matt white	Matt black	Baby blue	Concrete grey	
Brick red	Lacquered red										
Matt orange	Spring green										
Corn yellow	Matt white										
Matt black	Baby blue										
Concrete grey											
<b>Accessories</b>	Polycarbonate opal diffuser Honeycomb louvre and matt white ring										
<b>Nominal Output</b>	2300 lm (15W) - 3300 lm (23W) - 4200 lm (32W)										
<b>Colour Temperature</b>	3000K										
<b>Ingress Protection Rating</b>	IP20										
<b>Flammable surfaces</b>	Can be installed on normally flammable surfaces (90°)										
<b>Distribution</b>	Direct										
<b>Energetic Class</b>	Energy Class A+										
<b>Weight</b>	0.55 kg										
<b>Insulation Class</b>	Class III - Very low safety voltage 12V										
<b>Cutting hole</b>	Cutting Hole Round Ø220 mm										
<b>Depth downlight</b>	Depth 70 mm										
<b>Available upon request</b>	<table border="0"> <tr> <td>CRI95</td> <td> 4000K</td> </tr> <tr> <td> Digital regulation system DALI</td> <td> Regulation of light intensity by means of conventional push botton</td> </tr> <tr> <td> Analogical regulation with a direct voltage signal 1...10V</td> <td> Regulation with phase-cutting dimmer IGBT (C) or TRIAC (L)</td> </tr> </table>	CRI95	4000K	Digital regulation system DALI	Regulation of light intensity by means of conventional push botton	Analogical regulation with a direct voltage signal 1...10V	Regulation with phase-cutting dimmer IGBT (C) or TRIAC (L)				
CRI95	4000K										
Digital regulation system DALI	Regulation of light intensity by means of conventional push botton										
Analogical regulation with a direct voltage signal 1...10V	Regulation with phase-cutting dimmer IGBT (C) or TRIAC (L)										

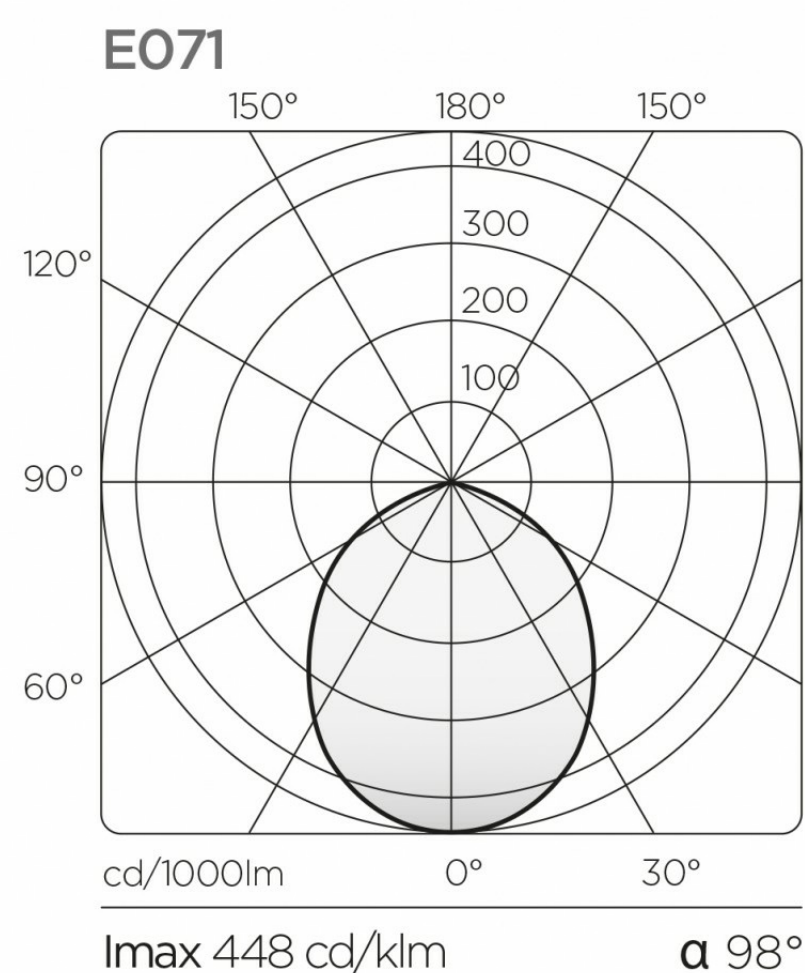


### Product description

Decorative recessed LED Downlight fitted with LED light source and integral DC constant-current power supply. The luminaire is manufactured from aluminium and is available in matte white, matte black and concrete grey finish options. The product needs to be completed with either a classic Decorative Ring, or the new Comfort Ring for improved visual comfort. Easy to install with quick electrical connexion directly on the driver. Supplied in CRI85 and 3000K as standard. Also available in CRI85, 4000K and a wide range of dimming options on request. Accessories include polycarbonate opal diffuser and honeycomb louvre. Ingress protection of IP20



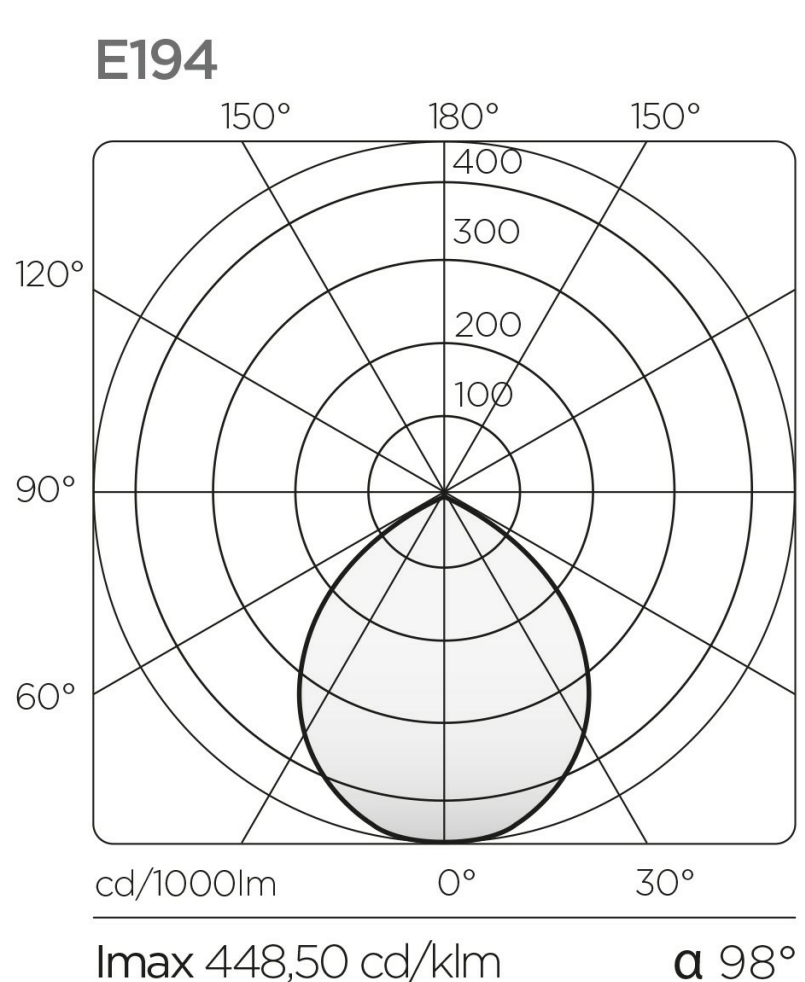
Photometric information



h (m)	Ø	Em (lux/klm)
h1	2,29	448
h2	4,59	112
h3	6,88	50
h4	9,17	28
h5	11,47	18

**TEDDY**

POWER	15W	17W	23W	32W
SOURCE CONSUPTION	14W	17,2W	20,7W	30W
CRI	85	85	85	85
CCT (K)	3000	3000	3000	3000
NOMINAL FLUX (lm)	2300	2300	3300	4200
FIXTURE FLUX (lm)	1436	1735	2191	3170
EFFICIENCY (lm/W)	102,5	100,8	105,5	105,6



**TEDDY**

POWER	15W	17W	23W	32W
SOURCE CONSUPTION	14W	17,2W	20,7W	30W
CRI	85	85	85	85
CCT (K)	3000	3000	3000	3000
NOMINAL FLUX (lm)	2300	2300	3300	4200
FIXTURE FLUX (lm)	1436	1735	2191	3170
EFFICIENCY (lm/W)	102,5	100,8	105,5	105,6

Accessories

**3439200-Polycarbonate opal diffuser**



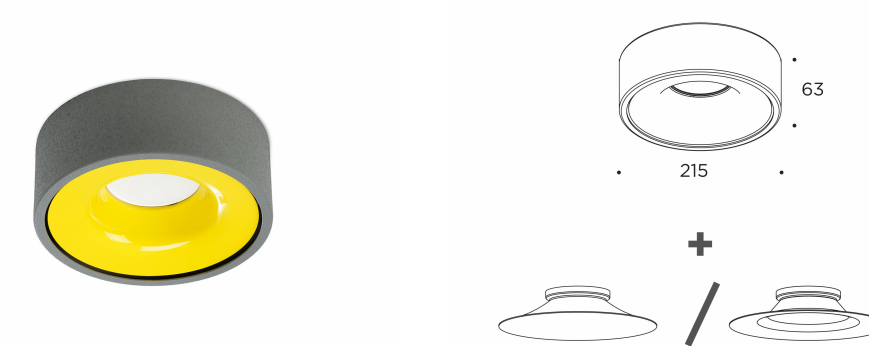
With this accessory there is no need to order coloured rings

**343910042-Honeycomb louvre and matt white ring**



The accessory consists of a protective screen and black honeycomb grid.

**TEDDY Large**



<b>Housing</b>	3434050
<b>Body finish</b>	42 52 92
<b>Optics</b>	+
<b>Coloured ring</b>	3439000 3439400
<b>Ring Colour</b>	1M 17 33 52 10 20 42 64 92
<b>Accessory</b>	+
<b>Accessories</b>	3439200 9G032