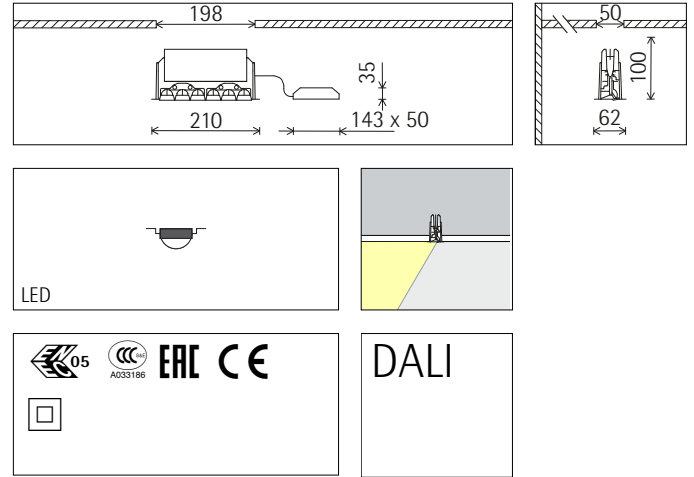
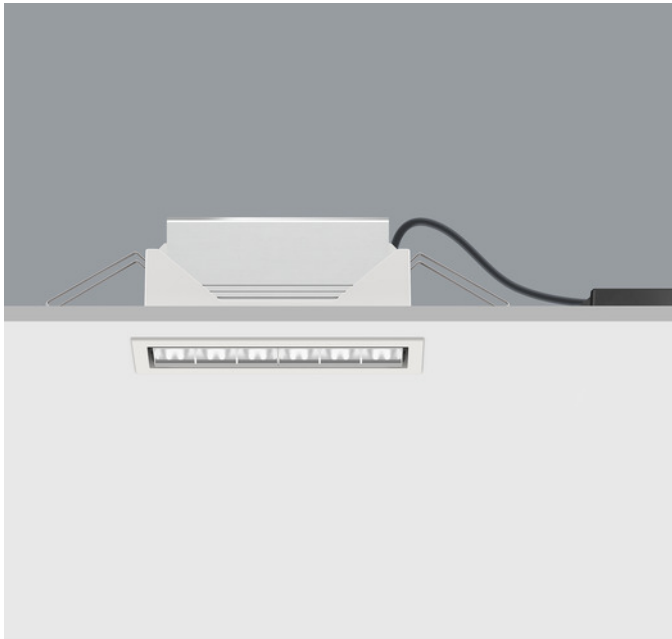


with silver louvre



86983.000

LED 12W 1650lm 4000K neutral white
DALI
Version 1
Covered mounting detail

Product description

Housing: aluminium profile, designed as heat sink, with connection cable L 500mm.
Mounting frame: polymer, white (RAL9002). Fixing springs for ceiling thicknesses of 1-40mm.
Includes ERCO DALI control gear. 4-pole terminal block.
LED module: high-power LEDs on metal-core PCB.
Reflector: polymer, silver vaporised, mirror-finish. Softec lens. Louvre: polymer, aluminium vaporised, silver, mirror-finish. Cut-off angle 70°.
Min. distance between luminaire and control gear 100mm.
Dimming possible via commercially available push-buttons (Push Dim).
Protection Class II
Weight 0.82kg
Version with 2700K CRI>=90 or 4000K CRI>=90 available on request.

Technical data

Luminous flux of the luminaire	1071lm
Connected load	15W
Luminaire efficacy	71lm/W
Colour deviation	2 SDCM
Colour rendition index	CRI ≥80
Lumen maintenance (LM-80/TM-21)	L90/B10 ≤50000h
Lumen maintenance (LED manufacturer specifications)	L90 ≤100000h
LED failure rate	0.1% ≤50000h
Dimming range	0.1%-100%
Dimming method	CCR
LMF	D
Energy efficiency class	EEL A++
Standby power per control gear	0.4W
Luminaires per circuit breaker B16	200

For your regional contact in the ERCO
Sales network click here
www.erco.com/contact

Technical Region: 220V-240V/50Hz
We reserve the right to make technical and design changes.
Edition: 29.03.2018
Current version under
www.erco.com/86983.000

Planning data

Illuminance E_n (lx)

Specifications:

Number of luminaires $n > 5$

Wall height (m) 4.0

Offset from wall (m) Luminaire spacing (m)	1.20		1.20		1.50		1.50	
	below the luminaire	between the luminaires	below the luminaire	between the luminaires	below the luminaire	between the luminaires	below the luminaire	between the luminaires
0.500	266	288	195	172	125	131	113	103
0.750	331	322	230	214	156	166	140	139
1.000	350	336	246	210	180	177	158	150
1.250	311	306	225	189	189	176	165	147
1.500	271	269	196	170	175	164	155	136
1.750	233	230	165	149	157	150	139	125
2.000	196	193	137	128	139	135	123	113
2.250	162	161	113	108	122	119	107	101
2.500	134	133	93	90	106	104	92	89
2.750	110	110	77	75	92	90	80	77
3.000	91	91	64	63	79	78	68	67
3.250	76	75	53	52	68	67	59	58
3.500	63	62	44	44	58	58	50	50

Cleaning (a) Ambient conditions	1				2				3			
	P	C	N	D	P	C	N	D	P	C	N	D
LMF	0.94	0.88	0.82	0.77	0.91	0.83	0.77	0.71	0.89	0.79	0.73	0.65
RSMF	0.97	0.95	0.91	0.86	0.97	0.94	0.90	0.86	0.97	0.94	0.90	0.86

Hours of operation (h)	1000	5000	10000	20000	30000	40000	50000
LLMF	1.00	0.99	0.98	0.96	0.94	0.92	0.90
LSF	1	1	1	1	1	1	1

- MF LMFxRSMFxLLMFxLSF
- MF Maintenance Factor
- LMF Luminaire Maintenance Factor
- RSMF Room Surface Maintenance Factor
- LLMF Lamp Lumens Maintenance Factor
- LSF Lamp Survival Factor
- P Room pure
- C Room clean
- N Room normal
- D Room dirty

Technical data in accordance with international norms and standards

- IEC 60598 Luminaires – Part 1+2: general requirements, specific requirements and tests
- IEC 62031 LED modules for general lighting – safety requirements
- IEC 62471 Photobiological safety of lamps and lamp systems
- EN 13032-4 Light and lighting – measurement and representation of photometric data
- CIE 13 Method of measuring and specifying colour rendering properties of light sources

All technical data is subject to industrially standard tolerances.
Also see www.erc.com/erc-co-led

Accessories

**87153.000**

Mounting frame

For flush mounting of luminaires with ceiling aperture 198x50mm.

Polymer, white (RAL9002). Mounting for ceiling thicknesses of 12.5-25mm.

The recess depth of the luminaire increases by 2mm.

