

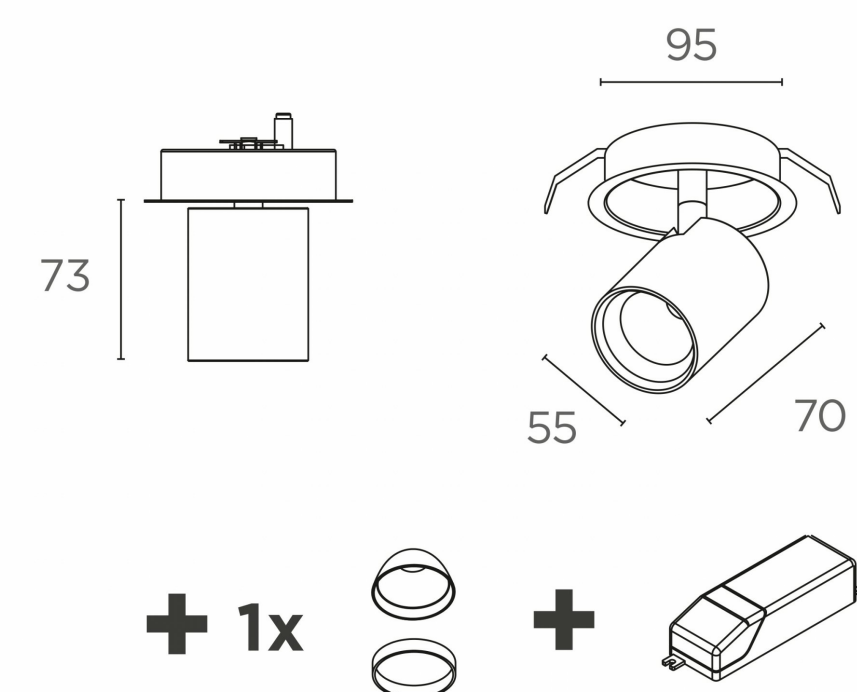
Body finish	<div style="display: flex; justify-content: space-around;"> <div style="text-align: center;"> Matt white </div> <div style="text-align: center;"> Matt black </div> </div> <div style="text-align: center; margin-top: 5px;"> Concrete grey </div>
Coloured ring	Coloured ring
Ring Colour	<div style="display: flex; justify-content: space-around;"> <div style="text-align: center;"> Lacquered red </div> <div style="text-align: center;"> Matt orange </div> </div> <div style="text-align: center; margin-top: 5px;"> Spring green </div> <div style="text-align: center; margin-top: 5px;"> Corn yellow </div> <div style="text-align: center; margin-top: 5px;"> Matt white </div> <div style="text-align: center; margin-top: 5px;"> Matt black </div> <div style="text-align: center; margin-top: 5px;"> Concrete grey </div>
Beam angle	<div style="display: flex; justify-content: space-between;"> <div style="text-align: left;"> Spot 29° Large 53° </div> <div style="text-align: left;"> Medium 47° </div> </div>
Accessories	<div style="display: flex; justify-content: space-between;"> <div style="text-align: left;"> Narrow Optics 10° ⁽¹⁾ Satin diffuser </div> <div style="text-align: left;"> Honeycomb louvre </div> </div>
Power	13W
IP Rating	IP20
Flammable surfaces	Can be installed on normally flammable surfaces (90°)
Colour Temperature	3000K
Distribution	Direct
Weight	0.22 kg
Cutting hole	Cutting Hole Round Ø85 mm
Depth downlight	Depth 50 mm



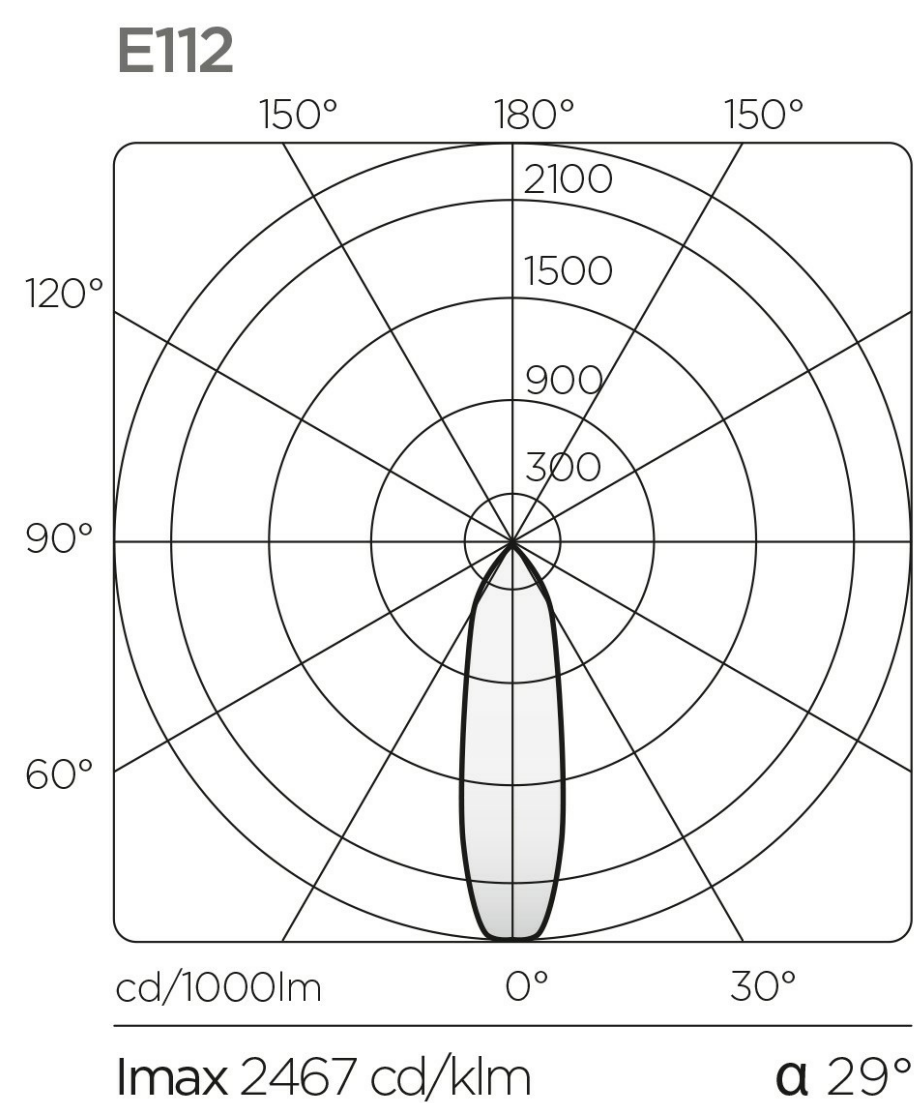
(1) With this accessory there is no need to order coloured rings with optics

Product description

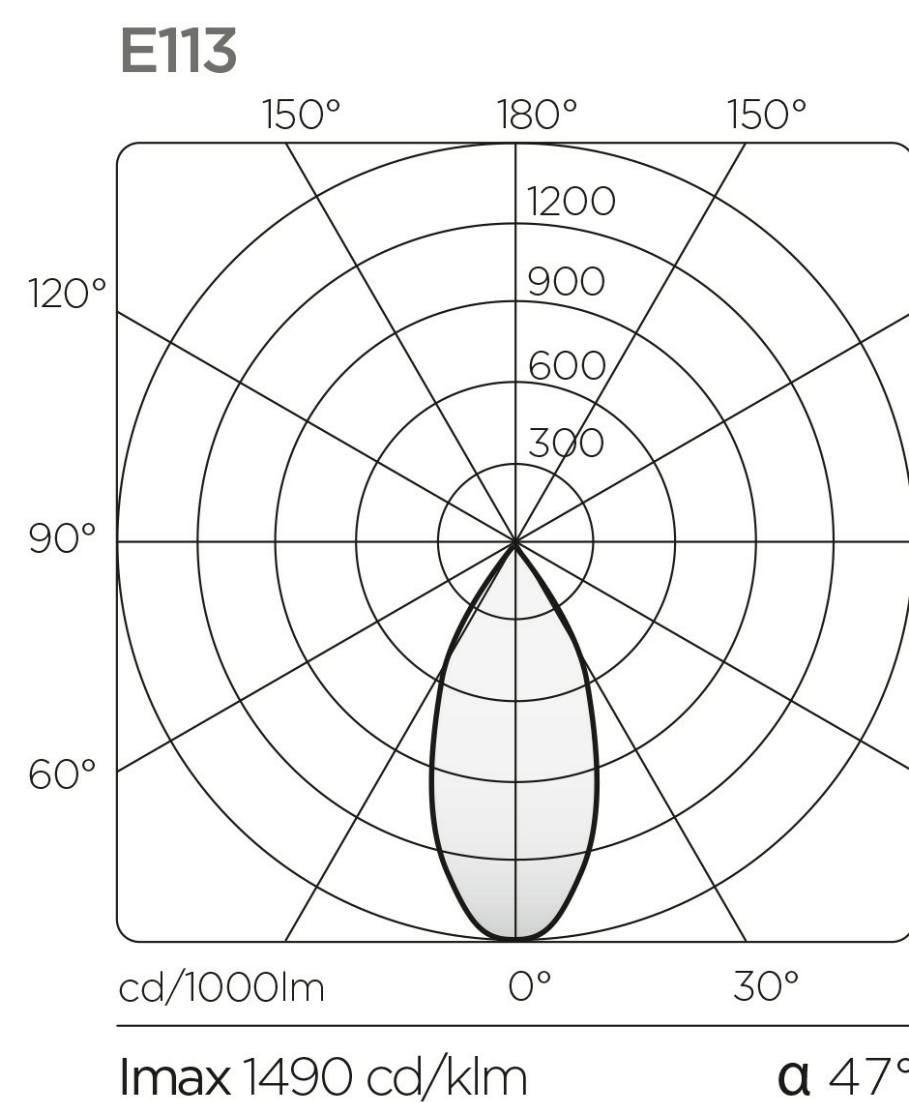
Recessed LED Downlight with a single adjustable spotlight with proprietary joint allowing for 360° horizontal and +/-85° vertical adjustment. Optics in Spot (29°), Medium (47°) and Large (53°) and remote power supply to be ordered separately. Optics come complete with a decorative ring that is available in seven liquid-coated finish options. The luminaire is available in matte white, matte black and concrete grey. Accessories include narrow optics attachment, honeycomb louvre and satin diffuser. Supplied in 3000K and CRI85 as standard. Available in CRI95, 2700K/4000K and DALI/PUSH/1-10V/PUSH dimming options on request. Ingress protection of IP20.



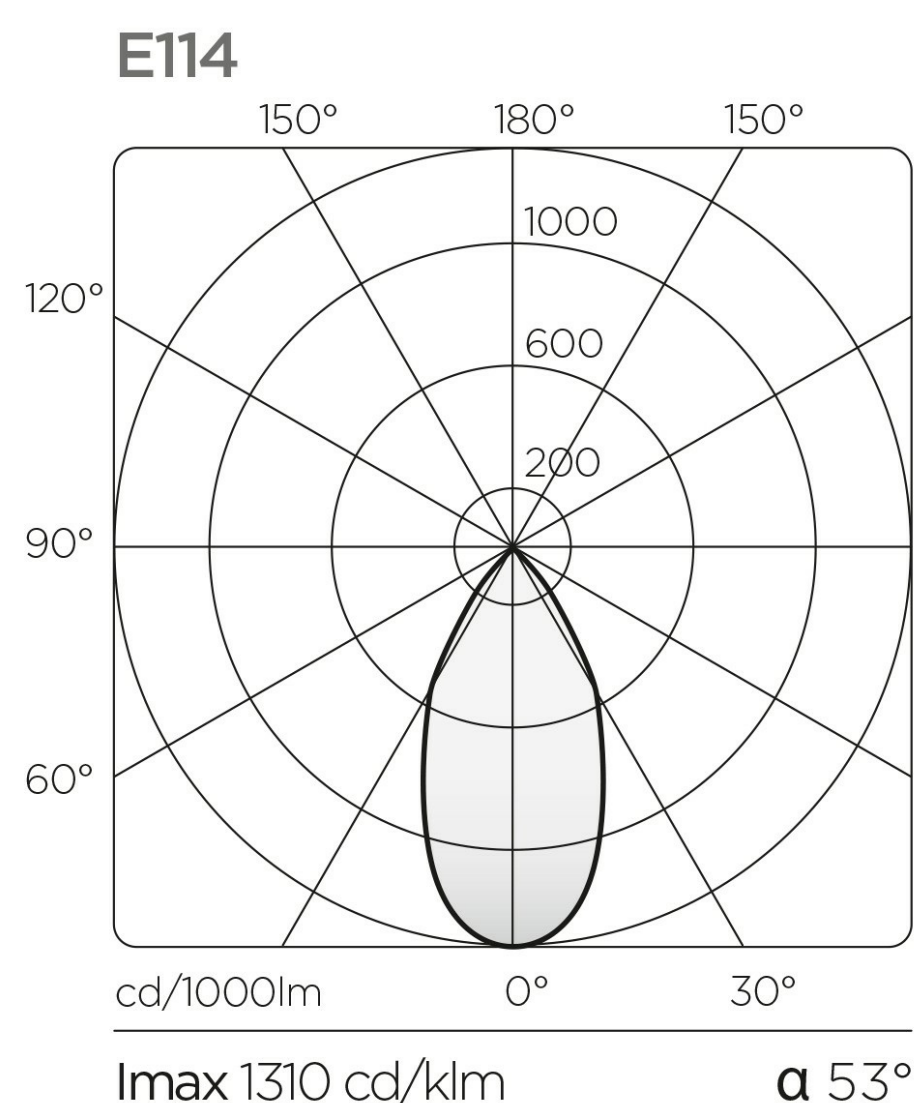
Photometric information



h (m)	Ø	Em (lux/klm)
h1	0,52	2467
h2	1,04	617
h3	1,57	274
h4	2,09	154
h5	2,61	99



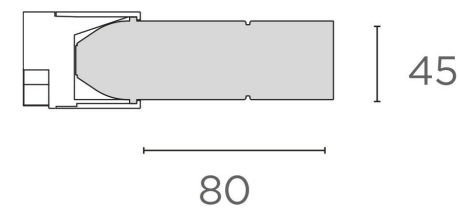
h (m)	Ø	Em (lux/klm)
h1	0,87	1490
h2	1,74	372
h3	2,61	166
h4	3,48	93
h5	4,35	60



h (m)	Ø	Em (lux/klm)
h1	1,00	1310
h2	2,00	327
h3	3,01	146
h4	4,01	82
h5	5,01	52

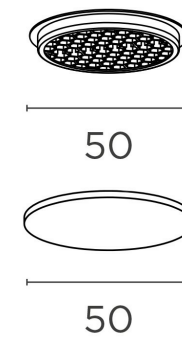
Accessories

9Q31252-Narrow Optics 10°



Matt black. With this accessory there is no need to order coloured rings with optics

9G025-Honeycomb louvre



The accessory consists of a protective screen and black honeycomb grid.

9G026-Satin diffuser

