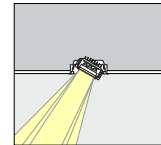


LED

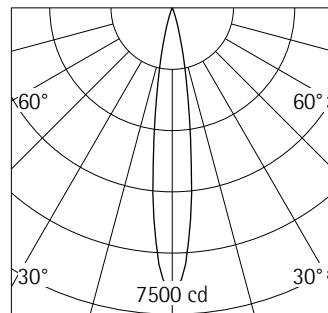


81979.000

LED 6W 825lm 4000K neutral white
DALI
Version 1
Covered mounting detail
Spherolit lens, spot

Product description

Luminaire: cast aluminium, black powder-coated, designed as heat sink, with connection cable L 850mm.
Gimbal suspension: polymer, black.
Luminaire 0°-40° tilt.
Mounting ring: size 4, polymer, white (RAL9002). Fixing springs for ceiling thicknesses of 1-25mm.
Includes ERCO DALI control gear. 4-pole terminal block.
LED module: high-power LEDs on metal-core PCB. Collimating lens made of optical polymer.
Dimming possible via commercially available push-buttons (Push Dim).
Protection Class II
Weight 0.64kg
Version with 2700K CRI>=90 or 4000K CRI>=90 available on request.



h(m)	E(lx)	D(m)
		15°
1	6950	0.26
2	1737	0.53
3	772	0.79
4	434	1.05
5	278	1.32

Technical data

Luminous flux of the luminaire	677lm
Connected load	9W
Luminaire efficacy	75lm/W
Colour deviation	2 SDCM
Colour rendition index	CRI ≥80
Lumen maintenance (LM-80/TM-21)	L90/B10 ≤50000h
Lumen maintenance (LED manufacturer specifications)	L90 ≤100000h
LED failure rate	0.1% ≤50000h
Dimming range	0.1%-100%
Dimming method	CCR
LMF	E
Energy efficiency class	EEL A++
Standby power per control gear	0.4W
Luminaires per circuit breaker B16	260

For your regional contact in the ERCO
Sales network click here
www.erco.com/contact

Technical Region: 220V-240V/50Hz
We reserve the right to make technical and design changes.
Edition: 29.03.2018
Current version under
www.erco.com/81979.000

Planning data

Cleaning (a)	1				2				3			
	P	C	N	D	P	C	N	D	P	C	N	D
LMF	0.96	0.94	0.90	0.86	0.93	0.91	0.86	0.81	0.92	0.90	0.84	0.79
RSMF	0.99	0.97	0.95	0.92	0.98	0.97	0.95	0.92	0.98	0.97	0.95	0.92

Hours of operation (h)	1000	5000	10000	20000	30000	40000	50000
LLMF	1.00	0.99	0.98	0.96	0.94	0.92	0.90
LSF	1	1	1	1	1	1	1

- MF LMFxRSMFxLLMFxLSF
- MF Maintenance Factor
- LMF Luminaire Maintenance Factor
- RSMF Room Surface Maintenance Factor
- LLMF Lamp Lumens Maintenance Factor
- LSF Lamp Survival Factor
- P Room pure
- C Room clean
- N Room normal
- D Room dirty

Technical data in accordance with international norms and standards

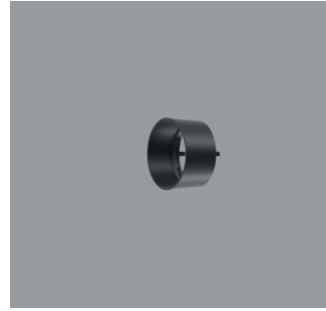
- IEC 60598 Luminaires – Part 1+2: general requirements, specific requirements and tests
- IEC 62031 LED modules for general lighting – safety requirements
- IEC 62471 Photobiological safety of lamps and lamp systems
- EN 13032-4 Light and lighting – measurement and representation of photometric data
- CIE 13 Method of measuring and specifying colour rendering properties of light sources

All technical data is subject to industrially standard tolerances.
 Also see www.erco.com/erco-led

Accessories



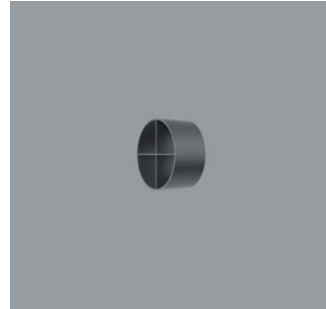
70851.000
Spherolit lens spot
made of optical polymer.
Replacement without tools.



74396.000
Snoot
Polymer.
Black



70852.000
Spherolit lens flood
made of optical polymer.
Replacement without tools.



78039.000
Cross-baffle
Aluminium, coated black, plastic outer.
Black



70853.000
Spherolit lens wide flood
made of optical polymer.
Replacement without tools.



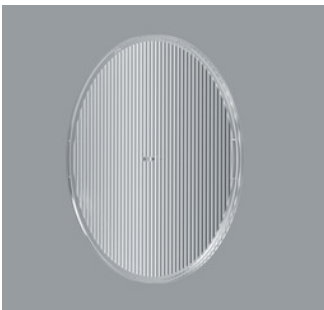
78031.000
Honeycomb anti-glare screen
Black



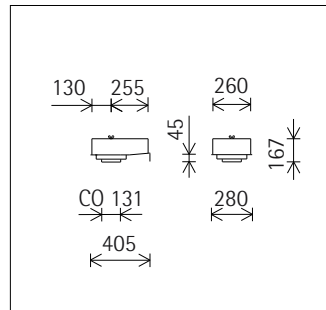
70978.000
Spherolit lens extra wide flood
made of optical polymer.
Replacement without tools.



83738.000
Concrete housing
Stainless steel, galvanised/powder-coated.
Recommended 0-8mm aggregate for the concrete.
Weight 4.35kg



70854.000
Spherolit lens oval flood
made of optical polymer.
Replacement without tools.

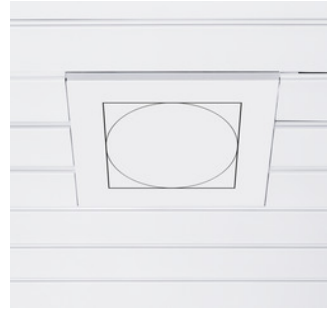
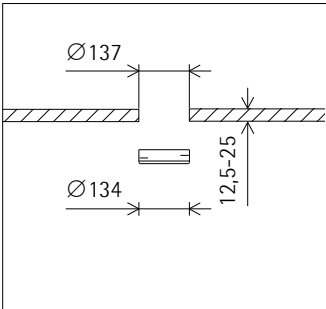


70855.000
Spherolit lens wallwash
made of optical polymer.
Replacement without tools.

Accessories



82936.000
 Mounting ring
 For flush mounting of luminaires with ceiling aperture \varnothing 131mm.
 Polymer, white (RAL9002). Mounting for ceiling thicknesses of 12.5-25mm.
 The recess depth of the luminaire increases by 2mm.
 Weight 0.10kg



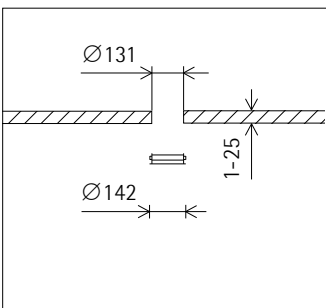
82950.000
 Mounting plate for panelled ceilings
 Metal, white (RAL9002) powder-coated.
 Individual design of mounting plates according to ceiling type and luminaire.
 Quote ceiling type and dimensions.



88290.000
 Compensation set
 For over-large ceiling aperture.
 Lock ring: steel sheet, galvanised.
 Mounting for ceiling thicknesses of 15-25mm.
 Cover ring: metal, white.
 When ordering state ceiling aperture of the luminaire and diameter of the available ceiling aperture.



82942.000
 Mounting ring
 For covered mounting of luminaires with ceiling aperture \varnothing 131mm.
 Polymer, black. Fixing springs for ceiling thicknesses of 1-25mm.



83980.000
 Cover ring
 Metal, white. For covering the gap where ceiling cut-outs are too big.
 Inner and outer diameter to be specified when placing order.



83595.000
 Spacer plate
 Aluminium.
 For flush-mounting of downlights in concrete housings in exposed concrete ceilings.
 Weight 0.07kg

