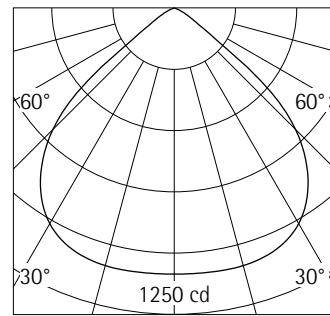


81113.000 White (RAL9016)
 LED 18W 2475lm 4000K neutral white
 DALI
 Version 3
 Covered mounting detail
 Lens system, extra wide flood

Product description
 Housing: cast aluminium, designed as heat sink, with connection cable L 500mm. Fixing springs for ceiling thicknesses of 1-40mm. Includes ERCO DALI control gear. 4-pole terminal block.
 LED module: high-power LEDs on metal-core PCB. Lens system made of optical polymer.
 Anti-glare cone with covered mounting detail: polymer, white (RAL9016). Optical cut-off 30°.
 The luminaire is splash water-protected on the room side.
 Dimming possible via commercially available push-buttons (Push Dim).
 Protection Class II
 Weight 1.18kg
 Version with 2700K CRI>=90 or 4000K CRI>=90 available on request.



Beam angle
 C₀ 97°

Technical data

Luminous flux of the luminaire	2225lm
Connected load	24W
Luminaire efficacy	93lm/W
Colour deviation	2 SDCM
Colour rendition index	CRI ≥80
Lumen maintenance (LM-80/TM-21)	L90/B10 ≤50000h
Lumen maintenance (LED manufacturer specifications)	L90 ≤100000h
LED failure rate	0.1% ≤50000h
Dimming range	0.1%-100%
Dimming method	CCR
LMF	E
Energy efficiency class	EEL A++
Standby power per control gear	0.3W
Luminaires per circuit breaker B16	28

For your regional contact in the ERCO
 Sales network click here
www.erco.com/contact

Technical Region: 220V-240V/50Hz
 We reserve the right to make technical and design changes.
 Edition: 29.03.2018
 Current version under
www.erco.com/81113.000

Planning data

81113.000 LED 18W 2475lm 4000K neutral white
 Connected load P: 24 W
 Connected load per 100lx P*: 0.9 W/m²
 Number of luminaires per 100lx n*: 4.4 1/100m²

81113.000 LED 18W 2475lm 4000K neutral white
 Number of luminaires per 100m² for
 100lx 200lx 300lx 500lx
 5 9 14 22

81113.000 LED 18W 2475lm 4000K neutral white
 Module (m) 1.2x1.8 1.8x1.8 1.8x2.4 2.4x2.4
 Illuminance E_n (lx) for module (m) 1062 708 531 398

Correction table

Ceiling	0.70	0.70	0.70	0.50	0
Wall	0.70	0.50	0.20	0.20	0
Floor	0.50	0.20	0.20	0.10	0

k	0.6	80	49	55	48	42
k	1.0	97	70	74	67	60
k	1.5	108	87	88	80	74
k	2.5	116	100	98	90	83
k	3.0	119	105	101	93	86

Cleaning (a)	1				2				3			
	P	C	N	D	P	C	N	D	P	C	N	D
Ambient conditions												
LMF	0.96	0.94	0.90	0.86	0.93	0.91	0.86	0.81	0.92	0.90	0.84	0.79
RSMF	0.97	0.95	0.91	0.86	0.97	0.94	0.90	0.86	0.97	0.94	0.90	0.86

Hours of operation (h)	1000	5000	10000	20000	30000	40000	50000
LLMF	1.00	0.99	0.98	0.96	0.94	0.92	0.90
LSF	1	1	1	1	1	1	1

MF LMFxRSMFxLLMFxLSF
 MF Maintenance Factor
 LMF Luminaire Maintenance Factor
 RSMF Room Surface Maintenance Factor
 LLMF Lamp Lumens Maintenance Factor
 LSF Lamp Survival Factor
 P Room pure
 C Room clean
 N Room normal
 D Room dirty

Technical data in accordance with international norms and standards

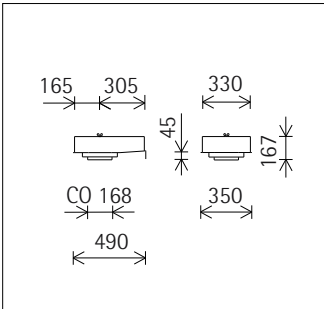
IEC 60598 Luminaires – Part 1+2: general requirements, specific requirements and tests
 IEC 62031 LED modules for general lighting – safety requirements
 IEC 62471 Photobiological safety of lamps and lamp systems
 EN13032-4 Light and lighting – measurement and representation of photometric data
 CIE 13 Method of measuring and specifying colour rendering properties of light sources

All technical data is subject to industrially standard tolerances.
 Also see www.erco.com/erco-led

Accessories



83740.000
 Concrete housing
 Stainless steel, galvanised/powder-coated.
 Recommended 0-8mm aggregate for the concrete.
 Weight 6.10kg



88290.000
 Compensation set
 For over-large ceiling aperture.
 Lock ring: steel sheet, galvanised.
 Mounting for ceiling thicknesses of 15-25mm.
 Cover ring: metal, white.
 When ordering state ceiling aperture of the luminaire and diameter of the available ceiling aperture.



83980.000
 Cover ring
 Metal, white. For covering the gap where ceiling cut-outs are too big.
 Inner and outer diameter to be specified when placing order.