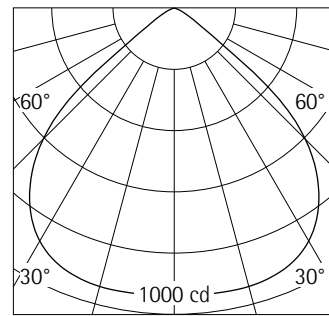


**31468.000** White (RAL9016)  
 LED 18W 2140lm 4000K neutral white  
 DALI-2  
 Version 4  
 Size 5  
 Covered mounting detail  
 Lens system, extra wide flood

**Product description**  
 Housing: cast aluminium, designed as heat sink, with connection cable L 500mm. Fixing springs for ceiling thicknesses of 1-40mm. Includes ERCO DALI control gear. 4-pole terminal block.  
 LED module: high-power LEDs on metal-core PCB. Lens system made of optical polymer.  
 Anti-glare cone with covered mounting detail: polymer, white (RAL9016). Optical cut-off 30°.  
 The luminaire is splash water-protected on the room side.  
 Dimming possible via commercially available push-buttons (Push Dim).  
 Approved for use as emergency lighting according to IEC / EN 60598-2-22.  
 Protection Class II  
 Weight 1.18kg



Beam angle  
 C<sub>0</sub> 97°

**Technical data**

Luminous flux of the luminaire	1924lm
Connected load	22.0W
Luminaire efficacy	87lm/W
Colour deviation	1.5 SDCM
Colour rendition index	CRI 92
Lumen maintenance (LED manufacturer specifications)	L90/B10 ≤50000h L90 ≤100000h
LED failure rate	0.1% ≤50000h
Dimming range	0.1%-100%
Dimming method	CCR
LMF	E
Energy efficiency class	EEI A+
Standby power per control gear	0.3W
Luminaires per circuit breaker B16	28

For your regional contact in the ERCO  
 Sales network click here  
[www.erco.com/contact](http://www.erco.com/contact)

Technical Region:  
 220V-240V/50Hz-60Hz  
 We reserve the right to make technical and design changes.  
 Edition: 30.01.2020  
 Current version under  
[www.erco.com/31468.000](http://www.erco.com/31468.000)

## Planning data

31468.000 LED 18W 2140lm 4000K neutral white  
 Connected load P: 22 W  
 Connected load per 100lx P\*: 1.1 W/m<sup>2</sup>  
 Number of luminaires per 100lx n\*: 5.0 1/100m<sup>2</sup>

31468.000 LED 18W 2140lm 4000K neutral white  
 Number of luminaires per 100m<sup>2</sup> for

100lx	200lx	300lx	500lx
5	11	16	26

31468.000 LED 18W 2140lm 4000K neutral white  
 Module (m) 1.2x1.8 1.8x1.8 1.8x2.4 2.4x2.4  
 Illuminance E<sub>n</sub> (lx) for module (m) 918 612 459 344

### Correction table

	0.70	0.70	0.70	0.50	0
Ceiling	0.70	0.70	0.70	0.50	0
Wall	0.70	0.50	0.20	0.20	0
Floor	0.50	0.20	0.20	0.10	0

k	0.6	80	49	55	48	42
k	1.0	97	70	74	67	60
k	1.5	108	87	88	80	74
k	2.5	116	100	98	90	83
k	3.0	119	105	101	93	86

Cleaning (a)	1				2				3			
	P	C	N	D	P	C	N	D	P	C	N	D
Ambient conditions	0.96	0.94	0.90	0.86	0.93	0.91	0.86	0.81	0.92	0.90	0.84	0.79
LMF	0.97	0.95	0.91	0.86	0.97	0.94	0.90	0.86	0.97	0.94	0.90	0.86
RSMF												

Hours of operation (h)	1000	5000	10000	20000	30000	40000	50000
LLMF	1.00	0.99	0.98	0.96	0.94	0.92	0.90
LSF	1	1	1	1	1	1	1

MF LMFxRSMFxLLMFxLSF  
 MF Maintenance Factor  
 LMF Luminaire Maintenance Factor  
 RSMF Room Surface Maintenance Factor  
 LLMF Lamp Lumens Maintenance Factor  
 LSF Lamp Survival Factor  
 P Room pure  
 C Room clean  
 N Room normal  
 D Room dirty

### Technical data in accordance with international norms and standards

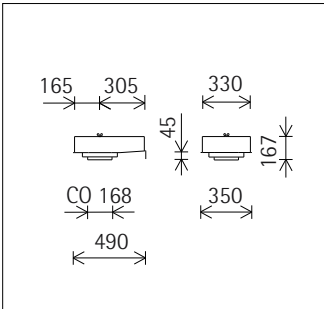
IEC 60598 Luminaires – Part 1+2: general requirements, specific requirements and tests  
 IEC 62031 LED modules for general lighting – safety requirements  
 IEC 62471 Photobiological safety of lamps and lamp systems  
 EN13032-4 Light and lighting – measurement and representation of photometric data  
 CIE 13 Method of measuring and specifying colour rendering properties of light sources

All technical data is subject to industrially standard tolerances.  
 Also see [www.erco.com/erco-led](http://www.erco.com/erco-led)

## Accessories



**83740.000**  
 Concrete housing  
 Stainless steel, galvanised/powder-coated.  
 Recommended 0-8mm aggregate for the concrete.  
 Weight 6.10kg



**88290.000**  
 Compensation set  
 For oversize ceiling cut-out.  
 Lock ring: Sheet steel, galvanised.  
 Mounting for ceiling thickness of min. 10mm.  
 Cover ring: Metal, white.  
 when ordering, please state the diameter of the existing ceiling cutout and the diameter of the luminaire.



**83980.000**  
 Cover ring  
 Metal, white. For covering the gap where ceiling cut-outs are too big.  
 Inner and outer diameter to be specified when placing order.