


ewo

IN

A-Series



Model	 ⑤	LU	Luminous Flux [lm]	Power [W]	L1⑥	B1⑥
IN 1	4.5	1	210-620	5-12	336	86
IN 2	6.5	2	410-1,000	10-19	496	86
IN 3	8.5	3	620-1,500	15-29	656	86

⑤ Max. weight ⑥ [mm]

Models / Equipment Variations



IN 1 → 1 Lighting unit



IN 2 → 2 Lighting units



IN 3 → 3 Lighting units

Available Designs



Recessed wall luminaire IN 1-IN 3-V04 (90° single LED row)

Accessory



Plasterkit



Stainless steel frame

- Housing accommodates up to 3 lighting units (LU), 8 / 16 / 24 LEDs
- Current feed: 200-500 mA, depending on ambient temperature
IN 1: 200-500 mA / IN 2: 200-400 mA / IN 3: 200-400 mA
- Product compatible with A-Series and T-Series (ewoLightTile)
- Electronic operating device with DALI, 1-10 V interface, stand-alone programming or Line Switch available upon request
- Constant lumen output (CLO) and emergency power supply (AC/DC) available upon request
- Various light distributions for area, walkway or indoor lighting
- Lighting unit adjustable +/- 5°
- Lens made from PMMA
- Cover in single-pane safety glass (ESG)
- Housing in aluminium, coated black matt RAL 9005

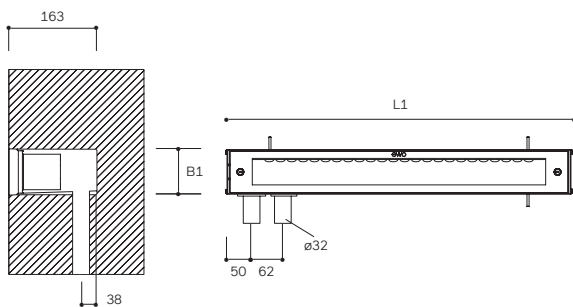


Colour Temperatures

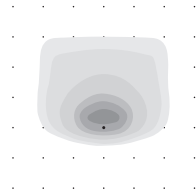


Other colour rendering indexes available upon request

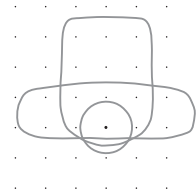
Dimension (values see table)



Light Distributions



AP07
Asymmetric Extra Forward



Shape your own light
Combine any light distributions